



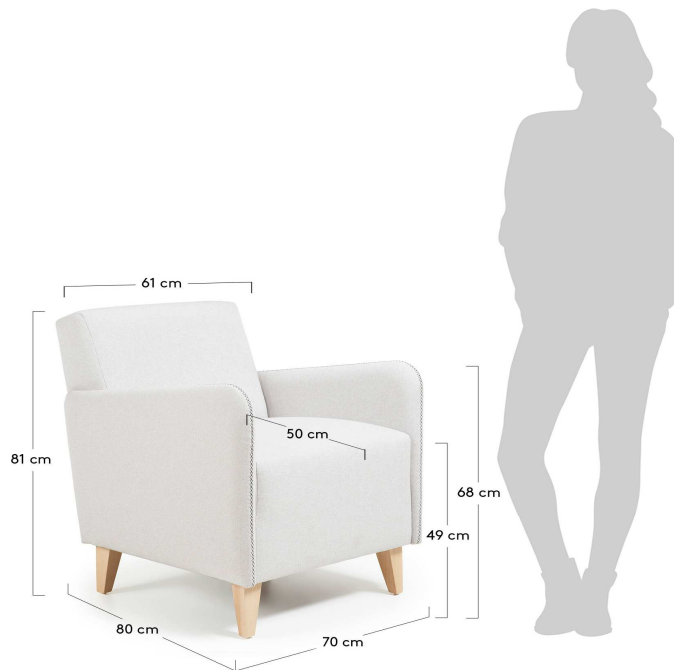
KOPA

| | |
|---------------------|--|
| product code | S375VA12 |
| product description | KOPA Armchair natural wooden legs, fabric beige Armchair upholstered with fabric Varese anti-stain Teflon treatment. Armrests with baseball stitching detail. Legs in natural beech wood. |

product sizes

| | | | | | |
|-----------------------------|----|---|----|---|----|
| height x width x depth (cm) | 81 | x | 70 | x | 80 |
| product weight (Kg) | 23 | | | | |
| seat height (cm) | 49 | | | | |
| seat depth (cm) | 50 | | | | |
| armrest height (cm) | 68 | | | | |
| armrest width (cm) | 6 | | | | |

technical drawings



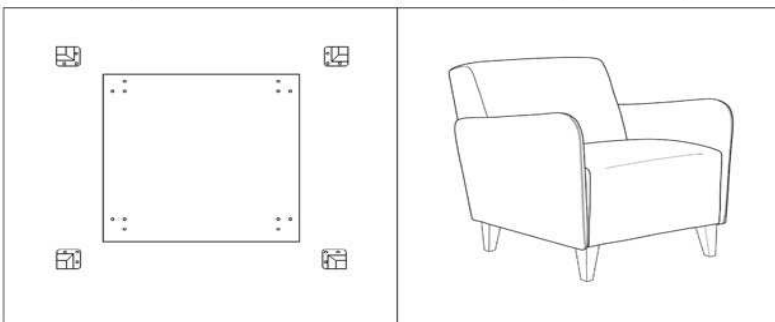
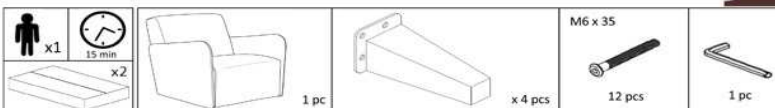
product features

| | |
|---------------------------|---|
| use (domestic/office) | Domestic |
| appliance (inner/outer) | Inner |
| reclining (yes/no) | No |
| sliding seat (yes/no) | No |
| swivel (yes/no) | No |
| stackable (yes/no) | No |
| max. load (Kg) | 130 |
| seat material | Pine wood (Pinus pinaster), particle board and foam |
| seat finishing | Fabric (100% polyester) |
| seat density foam (kg/m3) | 28 |
| seat detachable (yes/no) | No |
| seat grammage (g/m2) | 400 |

| | |
|---|---|
| backrest material | Particle board and foam |
| backrest finishing | Fabric (100% polyester) |
| backrest density foam (kg/m3) | 20 |
| backrest detachable (yes/no) | No |
| backrest grammage (g/m2) | 400 |
| legs material | Beech wood (Fagus sylvatica) and steel union |
| legs finishing | Clear lacquered |
| feet protection (yes/no) | No |
| adjustable feet (yes/no) | No |
| armrest (yes/no) | Yes |
| armrest material | Particle board and foam |
| armrest finishing | Fabric (100% polyester) |
| armrest density foam (kg/m3) | 28 |
| armrest detachable (yes/no) | No |
| armrest grammage (g/m2) | 400 |
| headrest material | |
| headrest finishing | |
| headrest density foam (kg/m3) | |
| headrest detachable (yes/no) | No |
| headrest removable (yes/no) | No |
| headrest grammage (g/m2) | |
| cushion material | |
| cushion finishing | |
| cushion density foam (kg/m3) | |
| cushion detachable (yes/no) | No |
| cushion grammage (g/m2) | |
| RAL Specifications | |
| size and shape variation (yes/no) | No |
| color variation (yes/no) | No |
| other details | |
| general warnings | Do not place near direct sources of heat. Keep away from direct solar light. Do not use abrasive products like acetones, bleaches, solvents, etc. |
| specific use and care instructions | Clean with a dry cloth |
| years of guarantee | 2 |
| made according to | Manufactured according to EN-12520:2015 for household use seats. |
| good to know | Wood origin country: Spain. Anti-stain treatment (Teflon) |
| assembly | |
| assembly required (yes/no) | Yes |
| difficulty of assembly (hard/medium/easy) | Easy |
| assembly time (min) | 15 |
| people required | 1 |
| assembly suggestions | |

assembly instructions

S375



This product is property of Julia Grup Furniture Solutions S.L. (B-17616277) - Pol. Ind. Bosc d'en Cuca - C/Tallers, 14 - 17410 Sils - SPAIN

packaging

| | |
|------------------------------|--------------|
| units per lot | 1 |
| cbm (m3) / gross weight (Kg) | 0,433 / 24,5 |
| nº of boxes | 2 |

| | |
|--|---------------------------------|
| box 1 | KOPLEG1 - 1 |
| description | KOPA Set wood leg natural color |
| description box | LEGS |
| height x width x depth (cm) | 16 x 25 x 16 |
| cbm (m3) / gross weight (Kg) / net weight (Kg) | 0,01 / 1,5 / 1,2 |

| | |
|--|---|
| box 2 | KOPVA12 - 2 |
| description | KOPA Armchair body t/varesse beige VA12 |
| description box | FRAME |
| height x width x depth (cm) | 71,5 x 81 x 73 |
| cbm (m3) / gross weight (Kg) / net weight (Kg) | 0,423 / 23 / 21,8 |

| | |
|--|-----|
| box 3 | |
| description | |
| description box | |
| height x width x depth (cm) | x x |
| cbm (m3) / gross weight (Kg) / net weight (Kg) | / / |