

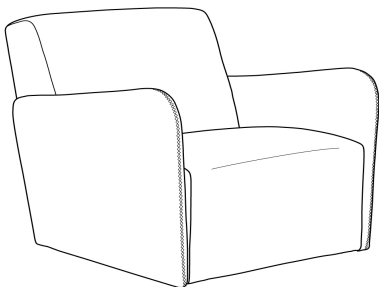
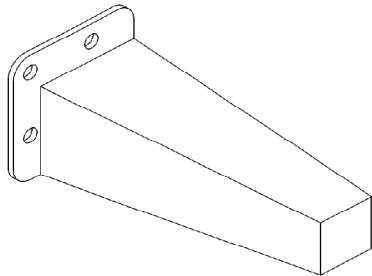


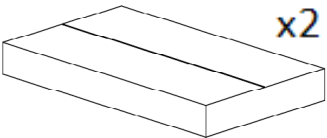
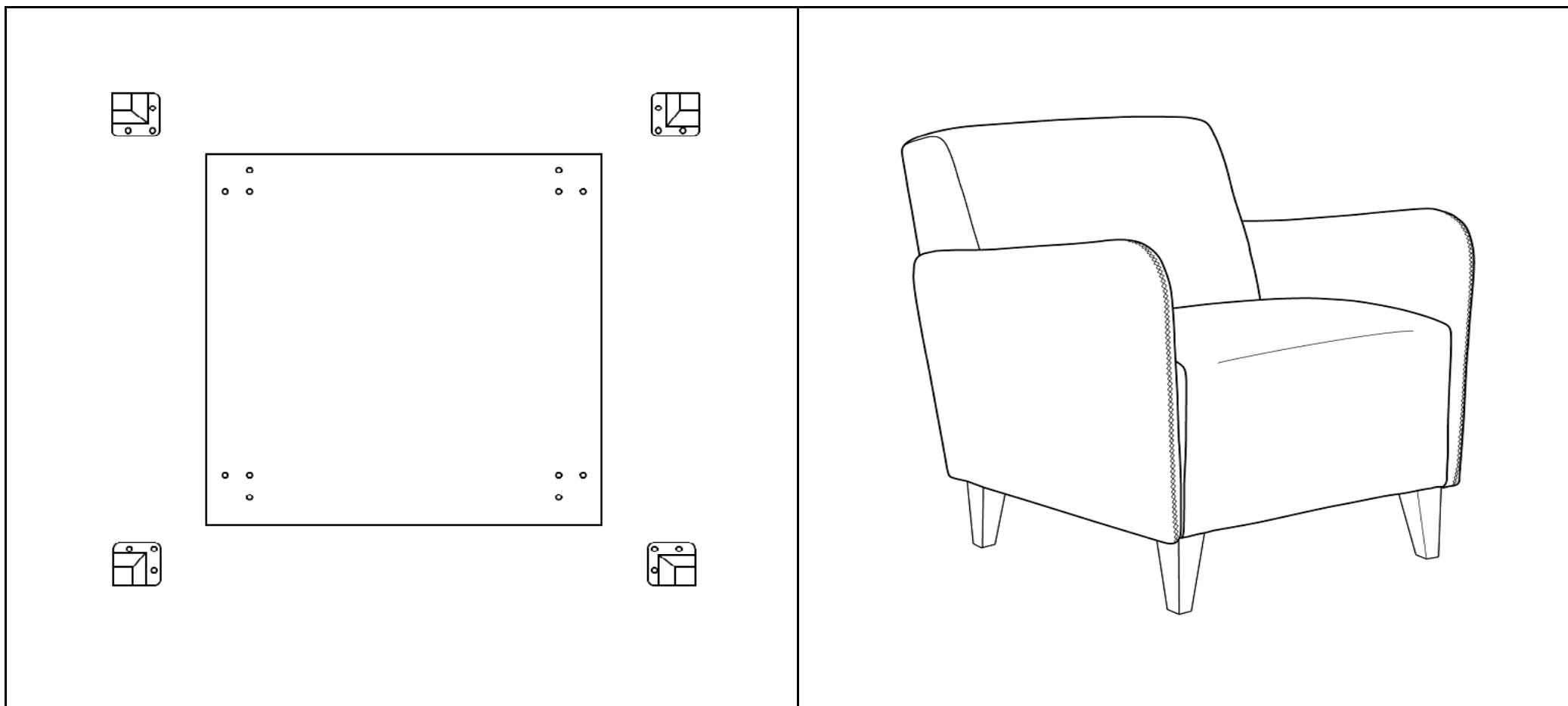


# S375



 x1	 15 min	 1 pc	 x 4 pcs	M6 x 35  12 pcs	 1 pc
 x2					



# S375

